

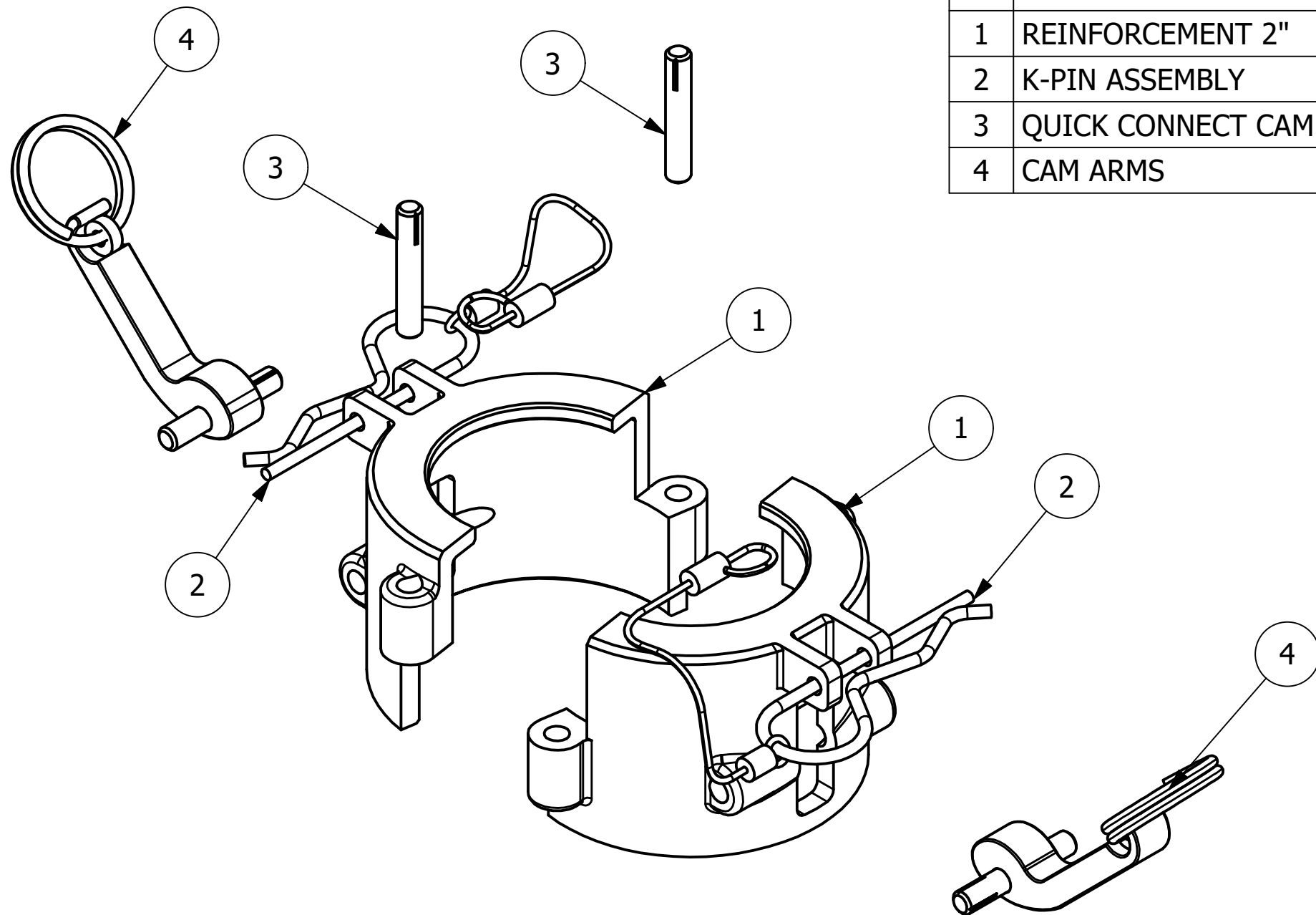
4


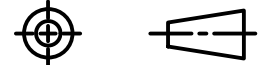
3

2

1

NO.	PART NAME	PART#	REQ'D	MATERIAL
1	REINFORCEMENT 2"	B53960	2	ASTM A743 GRADE CF8M 316 SS
2	K-PIN ASSEMBLY	PT5005010A	2	304 SS
3	QUICK CONNECT CAM PIN	SPCP2S4	2	304 SS
4	CAM ARMS	SSKLA2T	2	SS



UNLESS OTHERWISE SPECIFIED DIMENSIONAL TOLERANCES		DRAWN BY:	WEB	A WEB 4/13/26 RELEASED FOR PRODUCTION	
FRACTIONAL:	±1/16	CHECKED BY:	EJF	REV BY DATE DESCRIPTION	
X.XX:	±.03	PROTOTYPE DATE:	1/2/2026		
X.XXX:	±.015	APPROVED FOR PRODUCTION BY:	EJF		
ANGULAR:	±1°	PRODUCTION DATE:	4/13/2026	PART NAME: 2" HOSE BARB COLLAR KIT	
DEBURR ALL SHARP EDGES. ALL MACHINED SURFACES TO HAVE A 125 RMS FINISH UNLESS NOTED OTHERWISE.			SIZE:	MATERIAL: SEE BOM	
THIRD ANGLE PROJECTION			DRAWING #:	PROJECT #: 1304161 SHEET #: 1 OF 1 SCALE: 3:4	
			SIZE:	PART #: HS2KRFPKIT	

NOTE: ALL PARTS TO SHIP LOOSE.