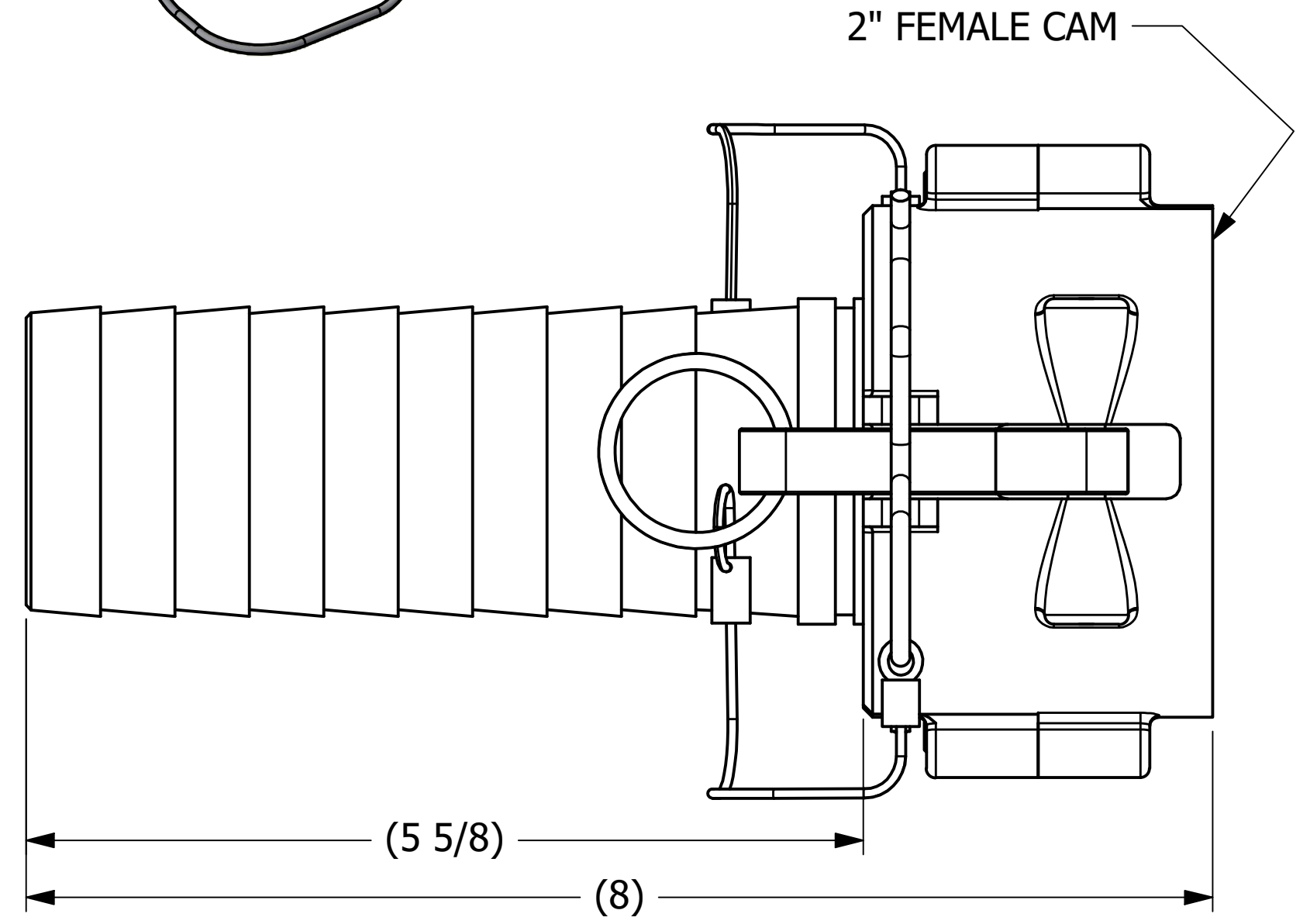
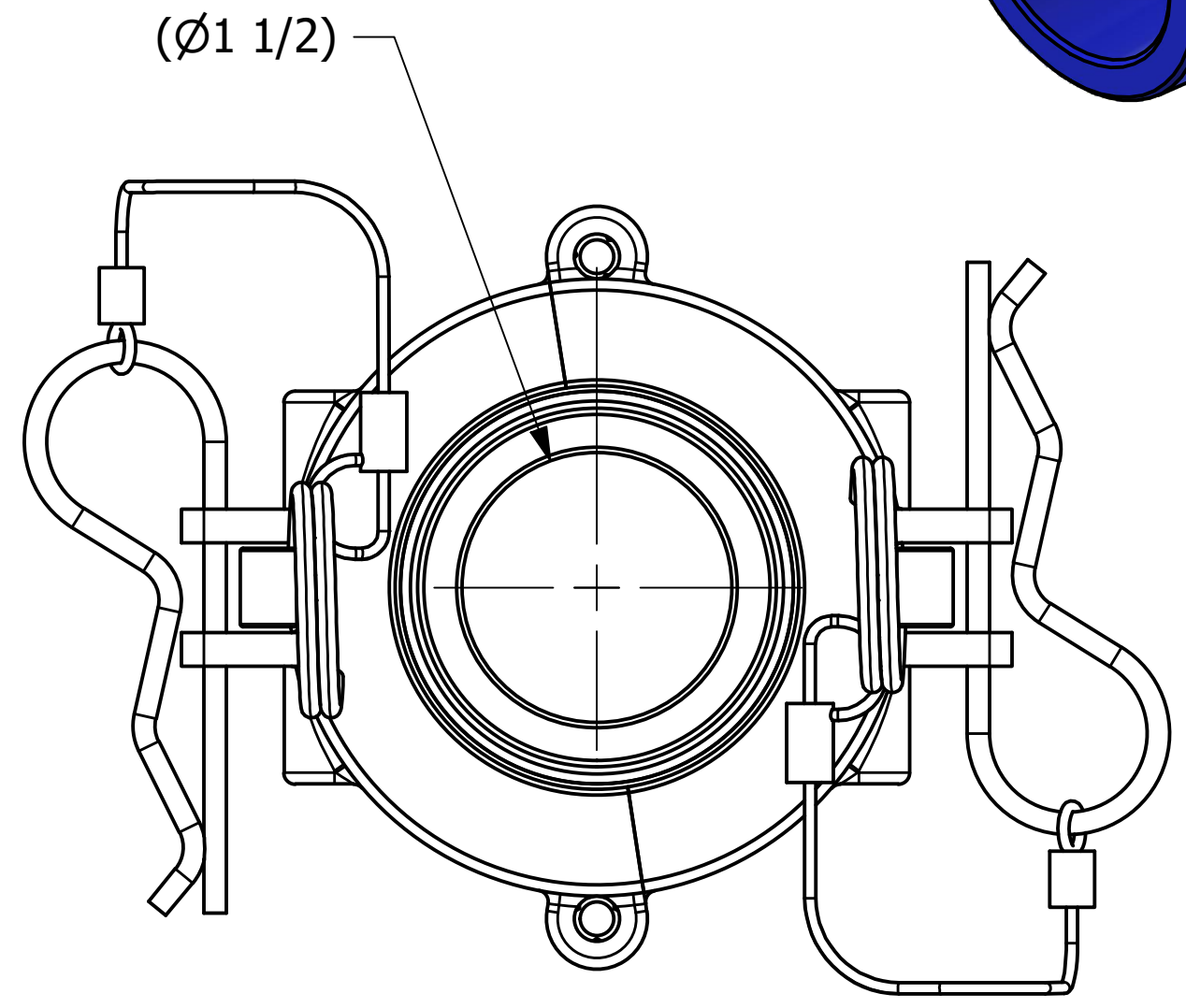
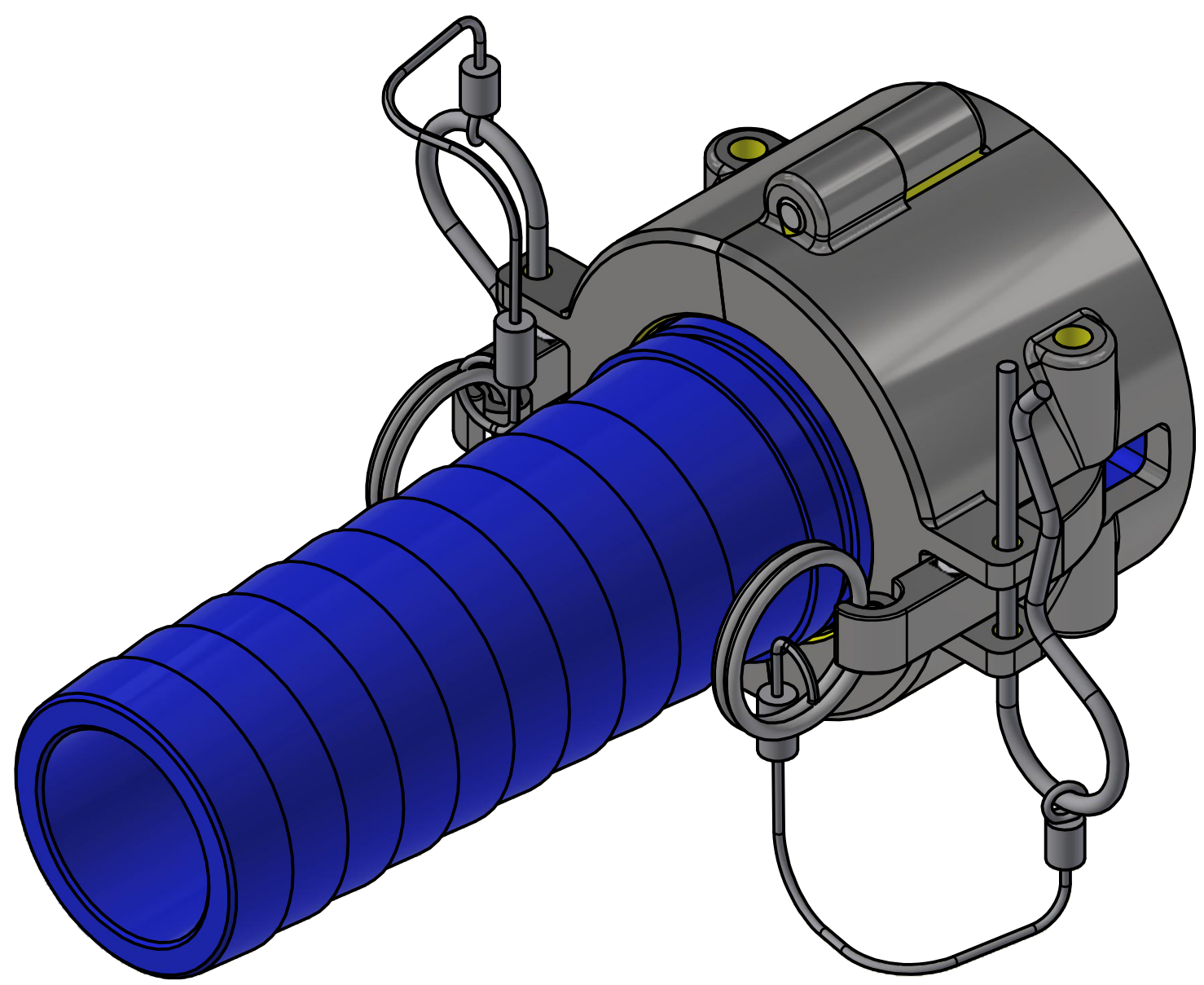


SALES DRAWING SALES DRAWING SALES DRAWING SALES DRAWING SALES DRAWING

SALES DRAWING SALES DRAWING SALES DRAWING SALES DRAWING SALES DRAWING



- NOTES:**
1. PATENT#: 9,631,762
 2. GASKET MATERIAL IS BLACK EPDM SULFUR CURED.
 3. SEE HS2KRFPKIT FOR A REPLACEMENT KIT OF ALL SS COMPONENTS.

<small>UNLESS OTHERWISE SPECIFIED DIMENSIONAL TOLERANCES FRACTIONAL: ±1/16 X.XX: ±.03 X.XXX: ±.015 ANGLE: ±1° DEBURR ALL SHARP EDGES. ALL MACHINED SURFACES TO HAVE A 125 RMS FINISH UNLESS NOTED OTHERWISE. THIRD ANGLE PROJECTION</small>	DRAWN BY:	WEB
	CHECKED BY:	CHL
	PROTOTYPE DATE:	4/2/2015
	APPROVED FOR PRODUCTION BY:	WEB
	PRODUCTION DATE:	
SIZE:	C	
DRAWING #:	41215	

B	WEB	3/15/19	202604131458	WEB
REV	BY	DATE	REF #	PUB
SALCO PRODUCTS, INC.				
PART NAME: QUICK CONNECT HOSE BARB 2"				
MATERIAL: SALCO PE/SS				
PROJECT #: 1304161			SHEET #: 1 OF 1	SCALE: 1:1
PART #: HS2KRFP03A				