



INSTALLATION INSTRUCTIONS FOR CBOVHKITARI04

Upon receiving the Compact Safeguard BOV Operating System kit (CBOVHKITARI04) inspect to make sure it has not been damaged in shipment and that all items listed in the parts list are present and accounted for.

1. Make sure the ARI bottom outlet valve is in closed position.
2. Slide the drilling fixture onto the valve stem and press it flat against the side of the skid bracket. Mark the four holes for the Compact Handle Extension Assembly bracket using spray paint. Use a center punch to mark the center of the holes. Start each hole with a 1/4" pilot hole, followed up with the 9/16" drill bit. Touch up the exposed metal with black spray to inhibit rust.
3. Install the BOV Adapter onto the valve stem as shown in Fig. 1. Place the Spring inside the adapter before installation. Apply the L-Bolt 1/4"-20 into the BOV Adapter temporarily to keep the spring compressed.
4. Measure from the outside face of the skid bracket 1 1/2" along the BOV Adapter and mark the adapter.
5. Trim the BOV Adapter away from the car at the mark. Keep the cut as square as possible and chamfer the cut end to 1/8" x 45° on the four sides. Round over all of the corners on the four sides and re-apply the BOV Adapter and the Spring to the valve stem using the L-Bolt 1/4"-20 and the Hex Lock Nut 1/4"-20 (see Fig. 2 and 3).

Fig. 1

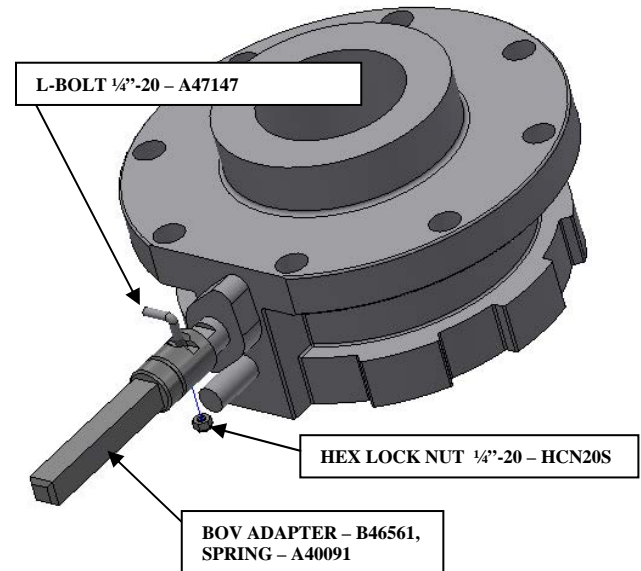


Fig. 2

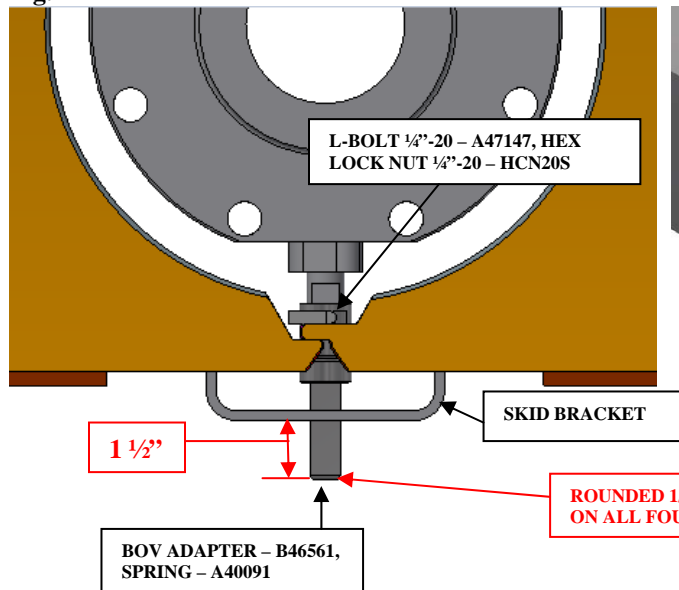
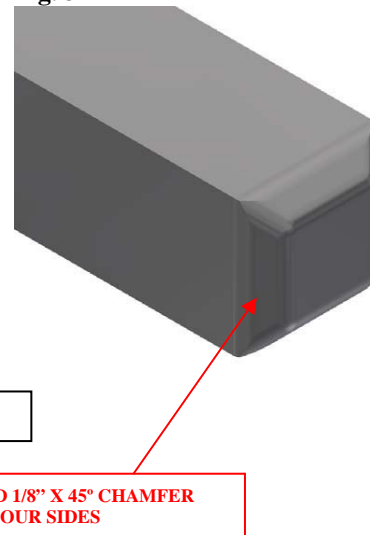


Fig. 3

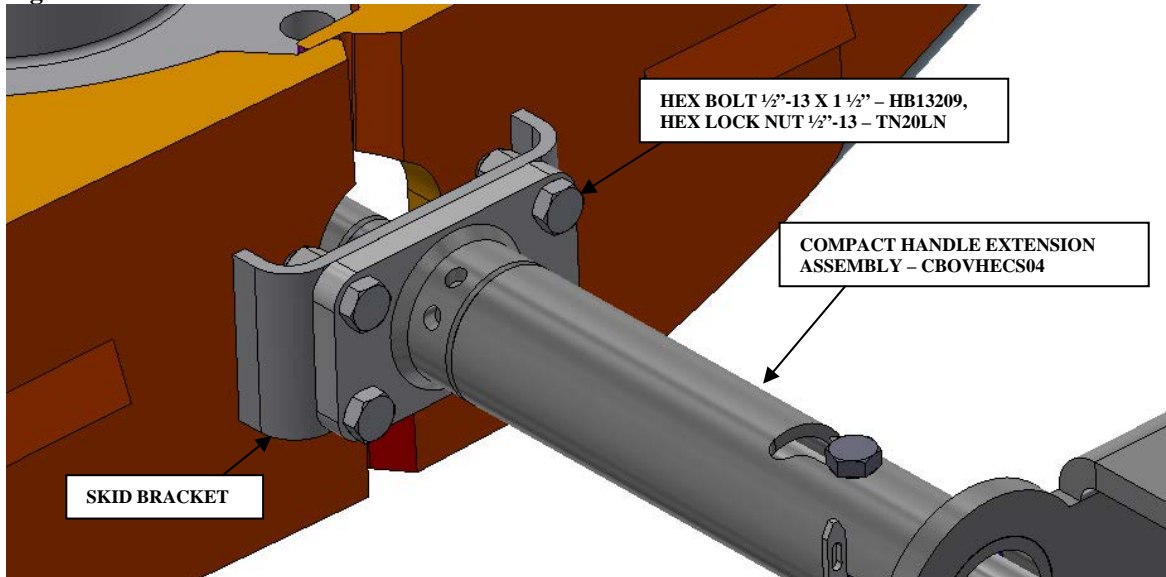


PDP3.02.2 - Rev 5

1385 101st St., Suite A • Lemont, IL 60439
 (630) 783-2570 Fax (630) 783-2590
 22311 Hufsmith-Kohrville • Tomball, TX 77375
 (281) 351-0274 Fax (281) 351-1514

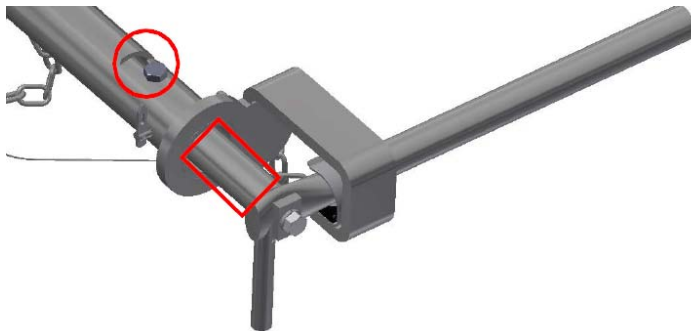
- Using the 1/2"-13 x 1 1/2" Hex Bolts and 1/2"-13 Hex Lock Nuts apply the Compact Handle Extension Assembly to the skid bracket (see Fig. 4). If needed, use spacer washers (Flat Washer 1/2" – A20USS) for handle extension alignment.

Fig. 4



- Cycle the Compact Safeguard BOV Operating System a few times by pushing the handle in to engage the BOV Adapter and pulling the handle out to disengage it. Also, rotate the handle clockwise while engaged to open the bottom outlet valve and counter clock wise to close it.

PAINTING GUIDELINES










The axial slot, radial slot, and the guide bolt should be masked prior to painting. Be sure the exposed portion of the bov adapter, as well as the pocket area where the bov adapter engages the shaft are masked as well. This is to avoid gumming up the handle operation.



PDP3.02.2 - Rev 5

1385 101st St., Suite A • Lemont, IL 60439
(630) 783-2570 Fax (630) 783-2590
22311 Hufsmith-Kohrville • Tomball, TX 77375
(281) 351-0274 Fax (281) 351-1514

PARTS LIST:

1 - COMPACT HANDLE EXTENSION ASSEMBLY (CBOVHECS04)	1 - BOV ADAPTER (B46561)	4 - HEX LOCK NUT 1/2"-13 (TN20LN)
		
1 - TOP LOCK NUT 1/4"-20 (HCN20S)	1 - SPRING (A40091)	4 - HEX BOLT 1/2"-13 X 1 1/2" (HB13209)
		
1 - L-BOLT 1/4"-20 (A47147)	1 - BOV DECAL (DBOV2224V07)	4 - FLAT WASHER 1/2" (A20USS)
	(NOT SHOWN)	



PDP3.02.2 - Rev 5

1385 101st St., Suite A • Lemont, IL 60439
 (630) 783-2570 Fax (630) 783-2590
 22311 Hufsmith-Kohrville • Tomball, TX 77375
 (281) 351-0274 Fax (281) 351-1514