



INSTALLATION INSTRUCTIONS FOR INDICATOR TAB

Upon receiving the indicator tab (brackets, fasteners) inspect to make sure it has not been damaged in shipment and that everything listed in the assembly drawing is present and accounted for.

1. Locate the nearest circular opening to hinge (see Fig. 1).
2. Loosely, on the inside of housing, position the indicator directly above the access hole (see Fig. 2). Indicator tab should come close but should not butt up against the inside wall (see Fig. 3).
3. Drill two holes through housing cover using tab indicator as template. Secure everything with Tamper Proof Screws, Flat Washers and Hex Lock Nuts (see Fig. 4).

Fig. 1

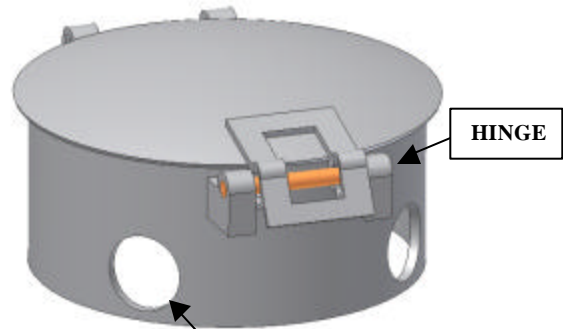


Fig. 2

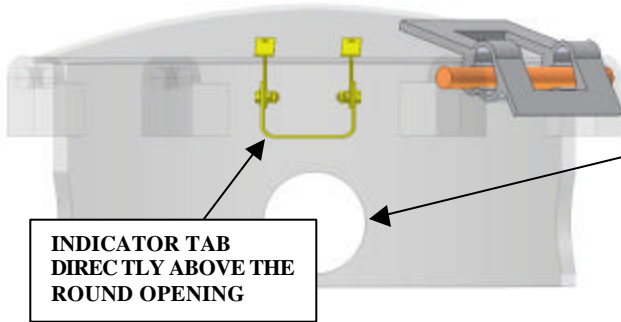


Fig. 3

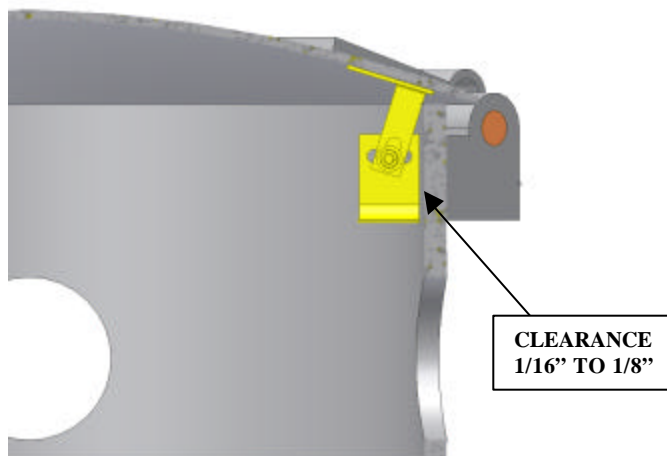


Fig. 4

