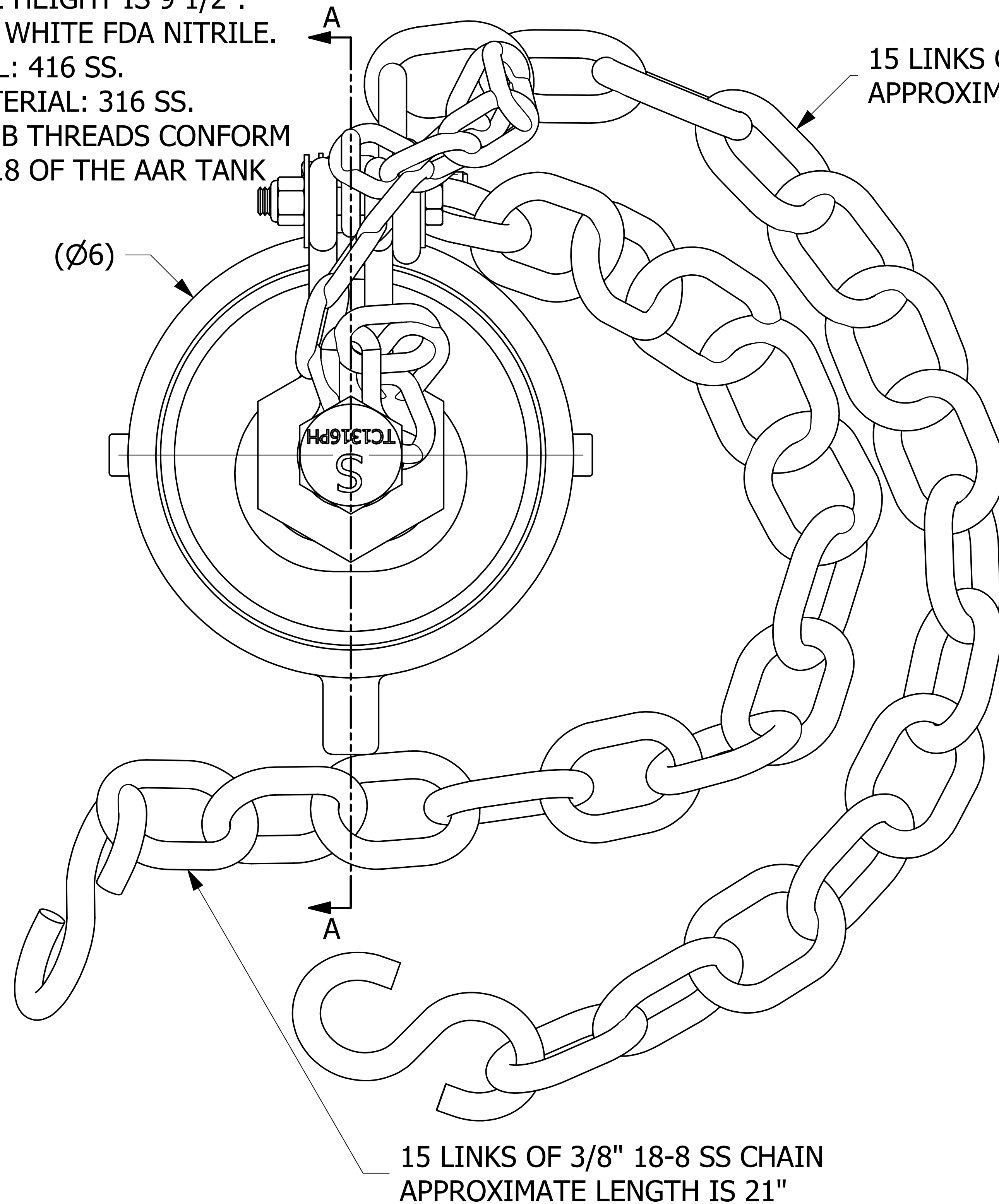
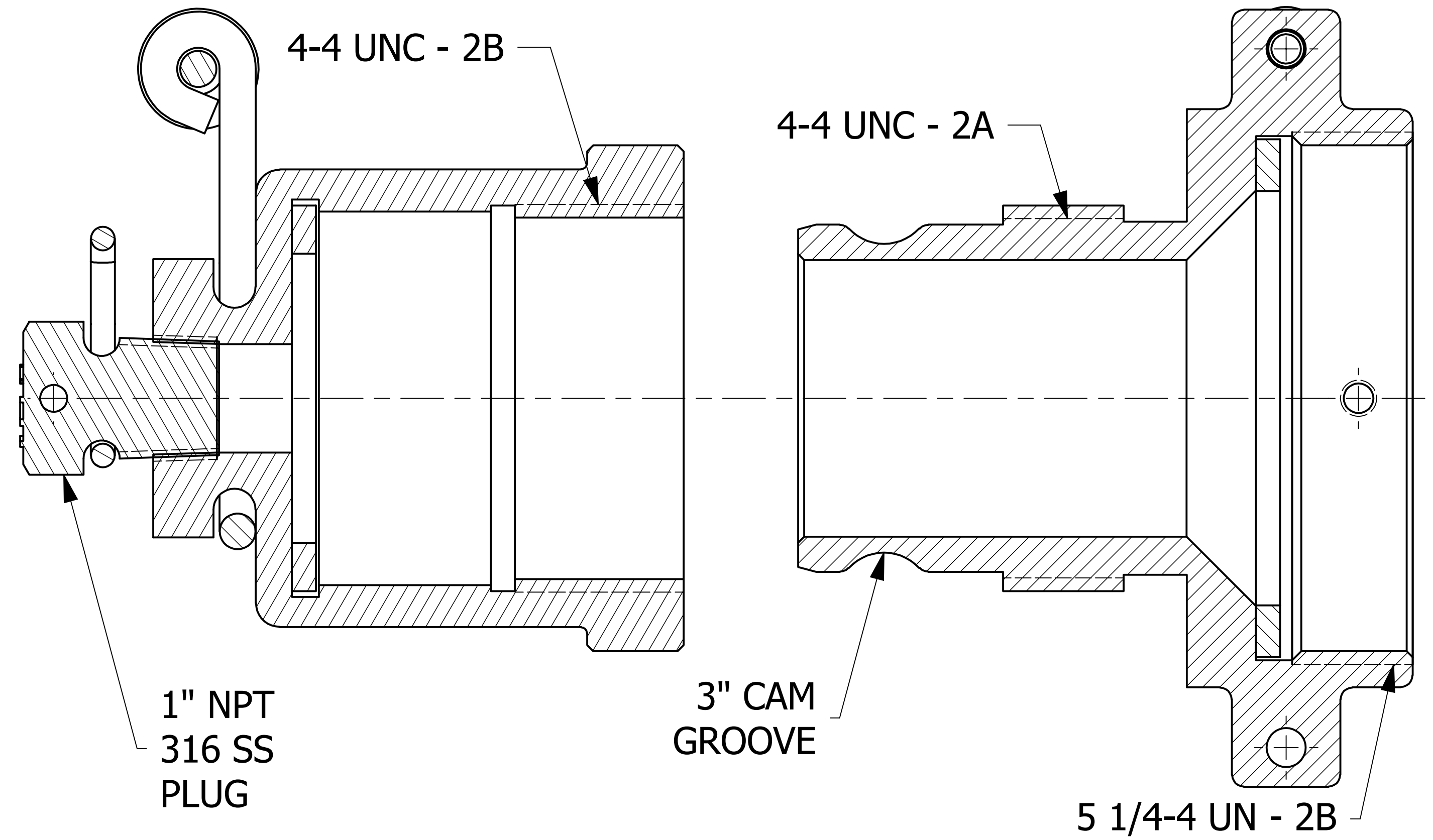


- NOTES:
1. UNLOADING ASSEMBLY IS DOT AND AAR APPROVED.
  2. AAR APPROVAL # IS E-149523.
  3. SET SCREWS SECURE ADAPTER WHEN CAP IS REMOVED.
  4. APPROXIMATE HEIGHT IS 9 1/2".
  5. GASKETS ARE WHITE FDA NITRILE.
  6. CAP MATERIAL: 416 SS.
  7. ADAPTER MATERIAL: 316 SS.
  8. 5 1/4-4 UN - 2B THREADS CONFORM TO FIGURE E18 OF THE AAR TANK CAR MANUAL.



15 LINKS OF 3/8" 18-8 SS CHAIN  
APPROXIMATE LENGTH IS 21"



SECTION A-A

UNLESS OTHERWISE SPECIFIED  
DIMENSIONAL TOLERANCES

FRACTIONAL: ±1/16  
X.XX: ±.03  
X.XXX: ±.015  
ANGULAR: ±1°

DEBURR ALL SHARP EDGES.  
ALL MACHINED SURFACES TO  
HAVE A 125 RMS FINISH  
UNLESS NOTED OTHERWISE.

THIRD ANGLE PROJECTION

DRAWN BY:	RJP
CHECKED BY:	JRO
PROTOTYPE BY:	RJP
PROTOTYPE DATE:	12/11/2013
APPROVED FOR PRODUCTION BY:	JRO
PRODUCTION DATE:	12/19/2013

B	RJP	5-11-16	UPDATED GEOMETRY OF TE3S416DC2A, AAR APPROVAL # WAS E-049013, UPDATED TITLEBLOCK
A	RJP	12-19-13	RELEASED FOR PRODUCTION
REV	BY	DATE	DESCRIPTION

**SALCO PRODUCTS, INC.**

PART NAME: **QUICK CONNECT 3" THREAD ON**

MATERIAL: **SEE NOTES**

PROJECT #: **090219** SHEET #: **1 OF 1** SCALE: **1:1**

DRAWING #: **D37958** PART #: **TE3S416SU2A**

SALES DRAWING SALES DRAWING

SALES DRAWING SALES DRAWING