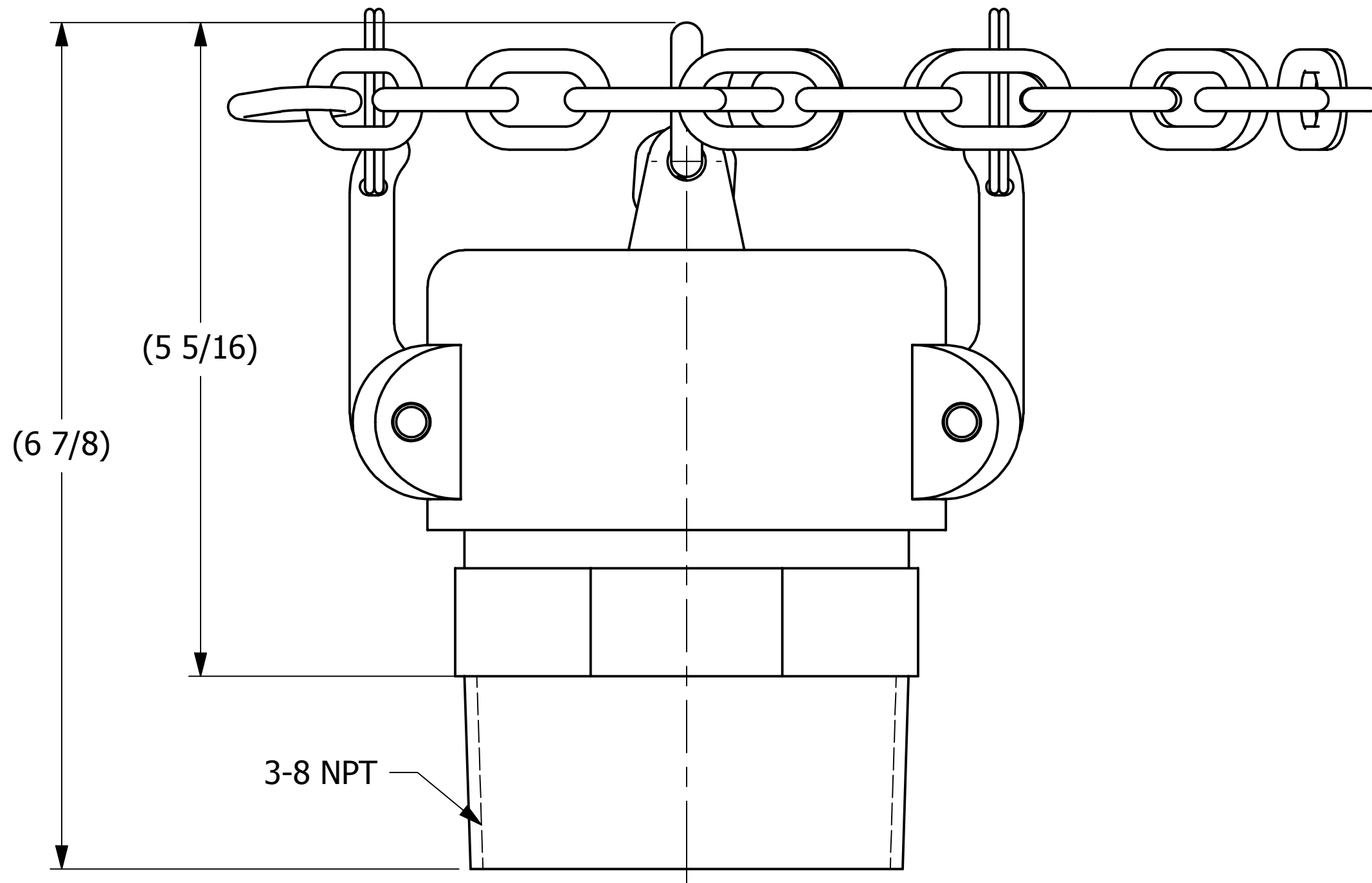
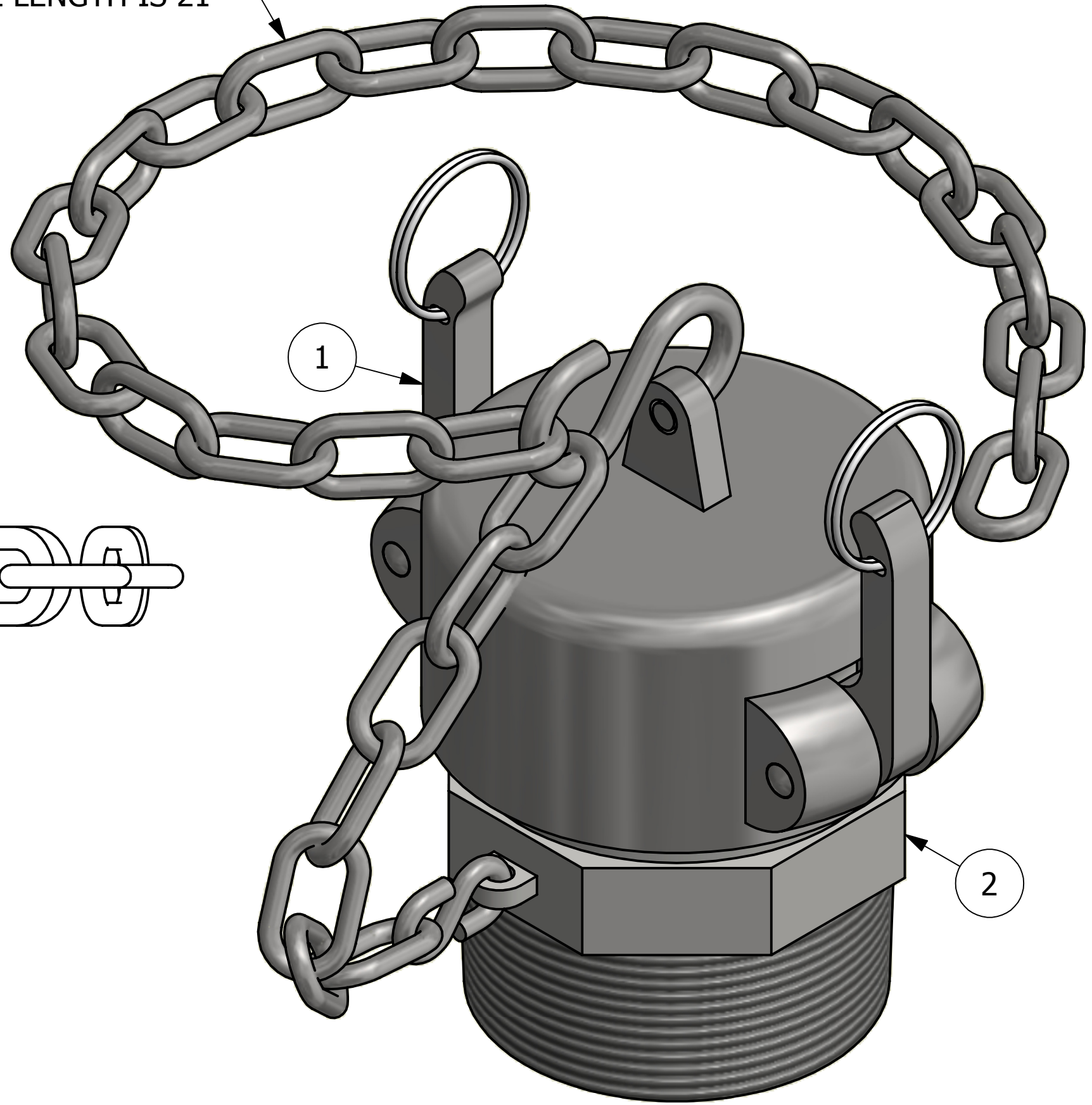


NOTE:
GASKET IS BLACK VITON® B DUPONT U2A.

21 LINKS OF 3/16" 18-8 SS CHAIN
APPROXIMATE LENGTH IS 21"

NO.	PART NAME	PART#	REQ'D	MATERIAL
1	DUST CAP 3"	K30SDC7A	1	316 SS
2	ADAPTER 3"	K3SMPA	1	316 SS



REV	BY	DATE	DESCRIPTION
B	RJP	8-10-17	REMOVED S-HOOK FROM END OF CHAIN
A	RJP	8-19-16	RELEASED FOR PRODUCTION

<small>UNLESS OTHERWISE SPECIFIED DIMENSIONAL TOLERANCES FRACTIONAL: ±1/16 X.XX: ±.03 X.XXX: ±.015 ANGLE: ±1° DEBURR ALL SHARP EDGES. ALL MACHINED SURFACES TO HAVE A 125 RMS FINISH UNLESS NOTED OTHERWISE.</small>	DRAWN BY:	TAK
	CHECKED BY:	CHL
	PROTOTYPE BY:	TAK
	PROTOTYPE DATE:	11/14/2013
	APPROVED FOR PRODUCTION BY:	VD
	PRODUCTION DATE:	8/19/2016

SALCO PRODUCTS, INC.		
PART NAME: TOP FITTING ASSEMBLY 3" THREAD ON		
MATERIAL: SEE BOM/NOTE		
PROJECT #:	SHEET #:	SCALE:
131114FR	1 OF 1	1:1
DRAWING #:	PART #:	
C37747	K30SUMP7A	