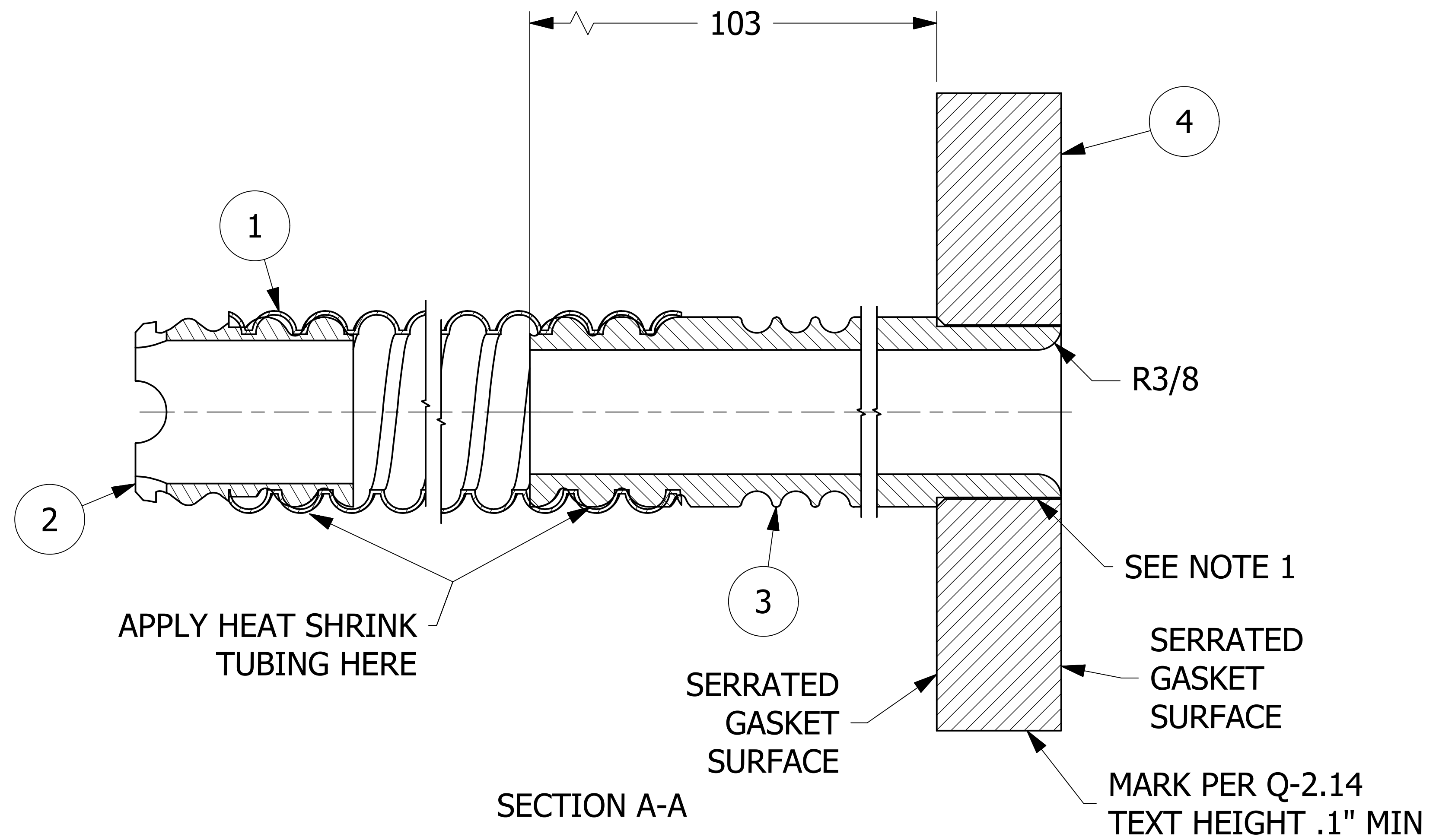
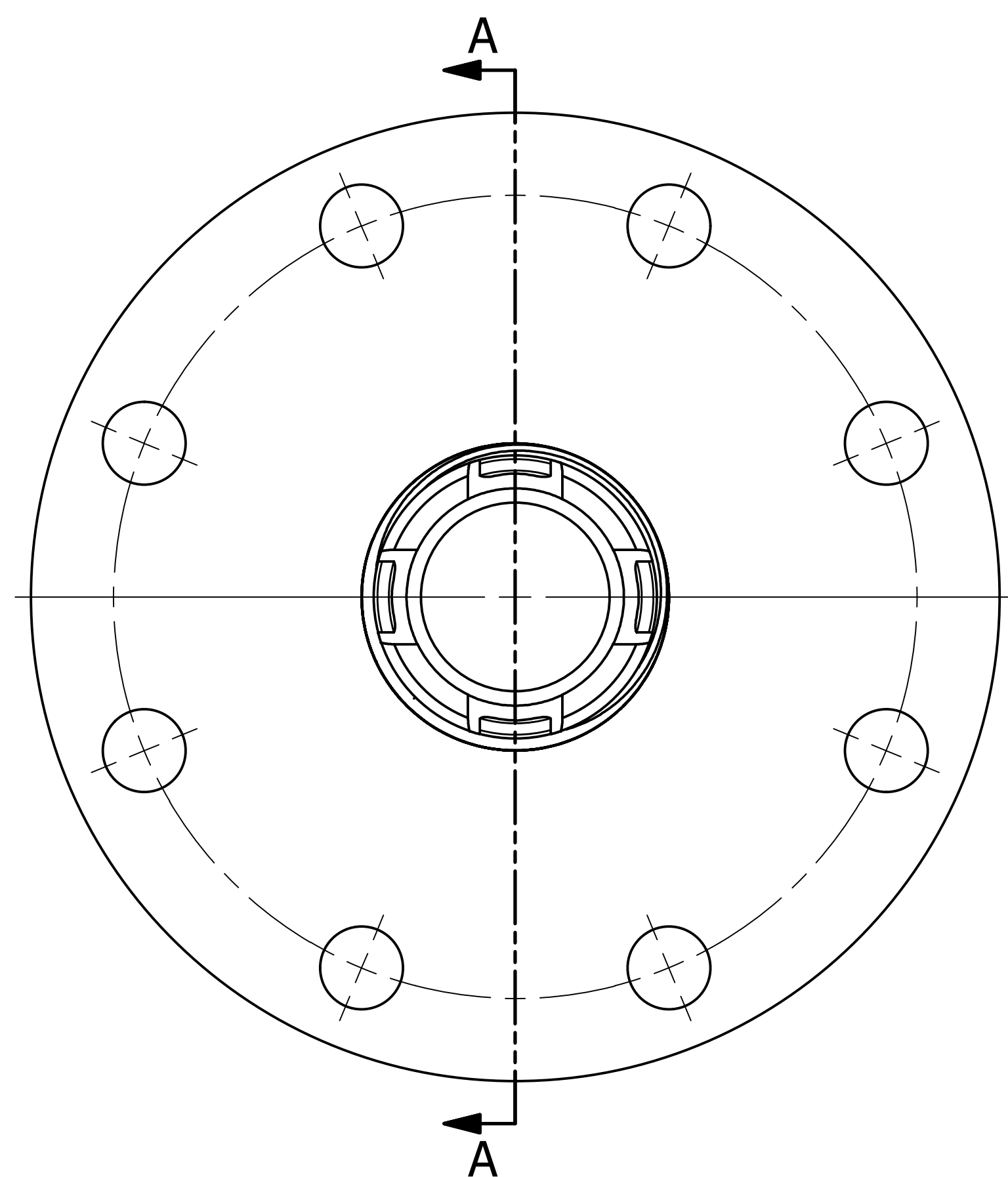


NO.	PART NAME	PART#	REQ'D	MATERIAL
1	CONVOLUTED FLEX TUBING 2 1/2"	HS23CFTR	1	PTFE
2	FLEX TUBE STRAINER	HS23FTSR	1	SALCO PE
3	TUBE 2"X3"	HS23TB105	1	SALCO PE
4	FLANGE 5"	HS5FLDGSH	1	SALCO PE
5	HEAT SHRINK TUBING KIT (NOT SHOWN)	HS23HSTKA	1	FEP



- NOTES:**
1. SEE DOCUMENT DSS 3 FOR FRICTION WELDING SPECIFICATIONS.
 2. SEE DOCUMENT Q-2.14 FOR MARKING PROCEDURES.
 3. FOR NON-FLAMMABLE SERVICE ONLY.
 4. FOR FINISH TUBE LENGTHS FOR 111" TO 120 1/2".

REV	BY	DATE	DESCRIPTION
D	WEB	3/18/22	REMOVED AAR#
C	CHL	12/10/19	Q-2.14 WAS QAP5A-1, AAR # WAS E-069015, REMOVED DSS 5 NOTE, ADDED SERRATED GASKET SURFACE LEADER NOTES
B	JG	7/10/15	UPDATED HS23TB105, NOTES, DIMS, TITLEBLOCK
A	CHL	9/30/11	DRAWING ADDED TO NETWORK

UNLESS OTHERWISE SPECIFIED DIMENSIONAL TOLERANCES FRACTIONAL: ±1/16 X.XX: ±.03 X.XXX: ±.015 ANGULAR: ±1° DEBURR ALL SHARP EDGES. ALL MACHINED SURFACES TO HAVE A 125 RMS FINISH UNLESS NOTED OTHERWISE. THIRD ANGLE PROJECTION	DRAWN BY:	CHL
	CHECKED BY:	PJG
	PROTOTYPE DATE:	2/7/2008
	APPROVED FOR PRODUCTION BY:	PJG
	PRODUCTION DATE:	9/30/2011
	SIZE:	D
DRAWING #:	24742	

SALCO PRODUCTS, INC.

PART NAME: **EDUCATION TUBE 5"X3"**

MATERIAL: **SEE BOM**

PROJECT #: **WAG0513** SHEET #: **1 OF 1** SCALE: **3:4**

PART #: **HS5DT23103**