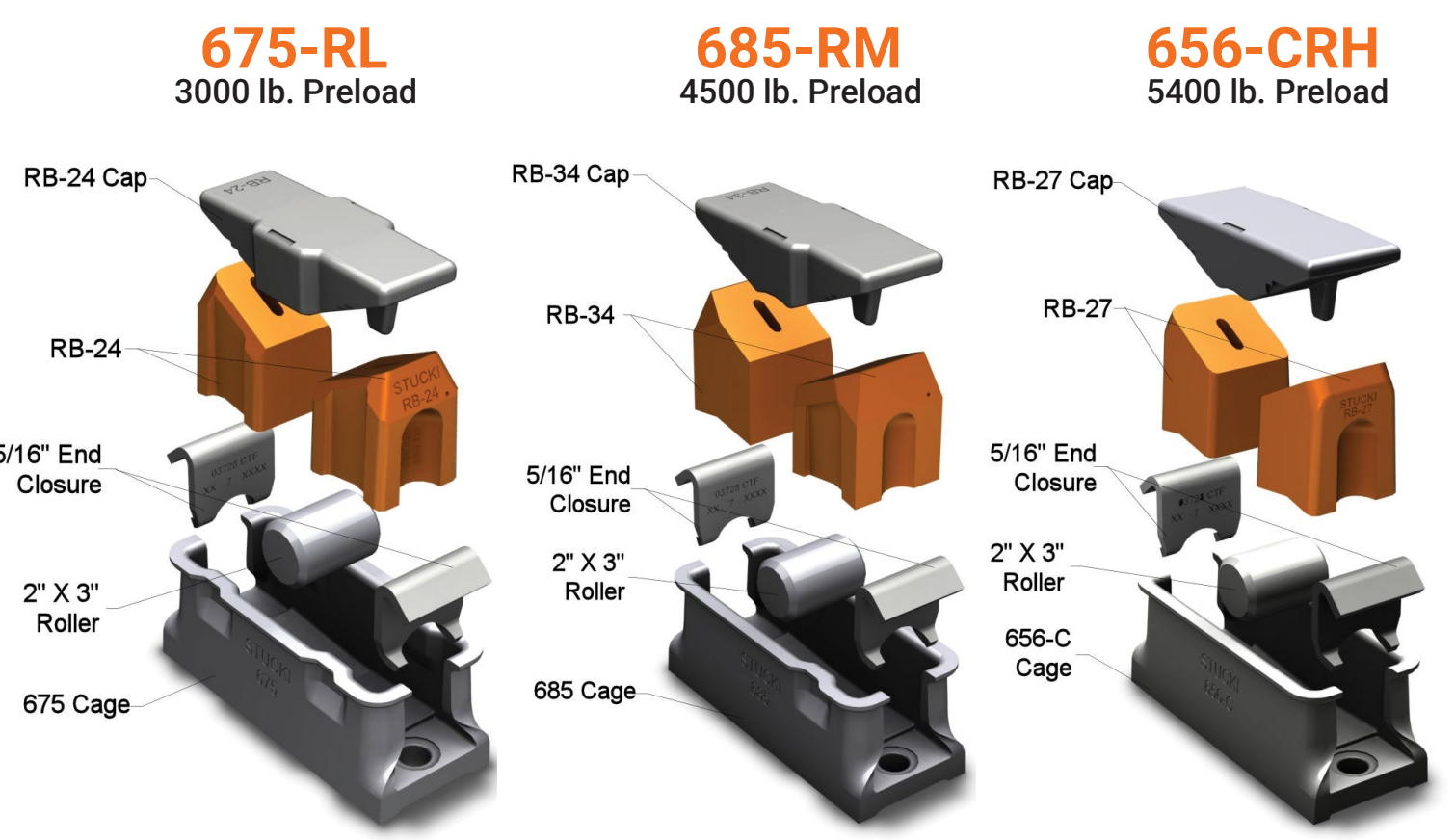
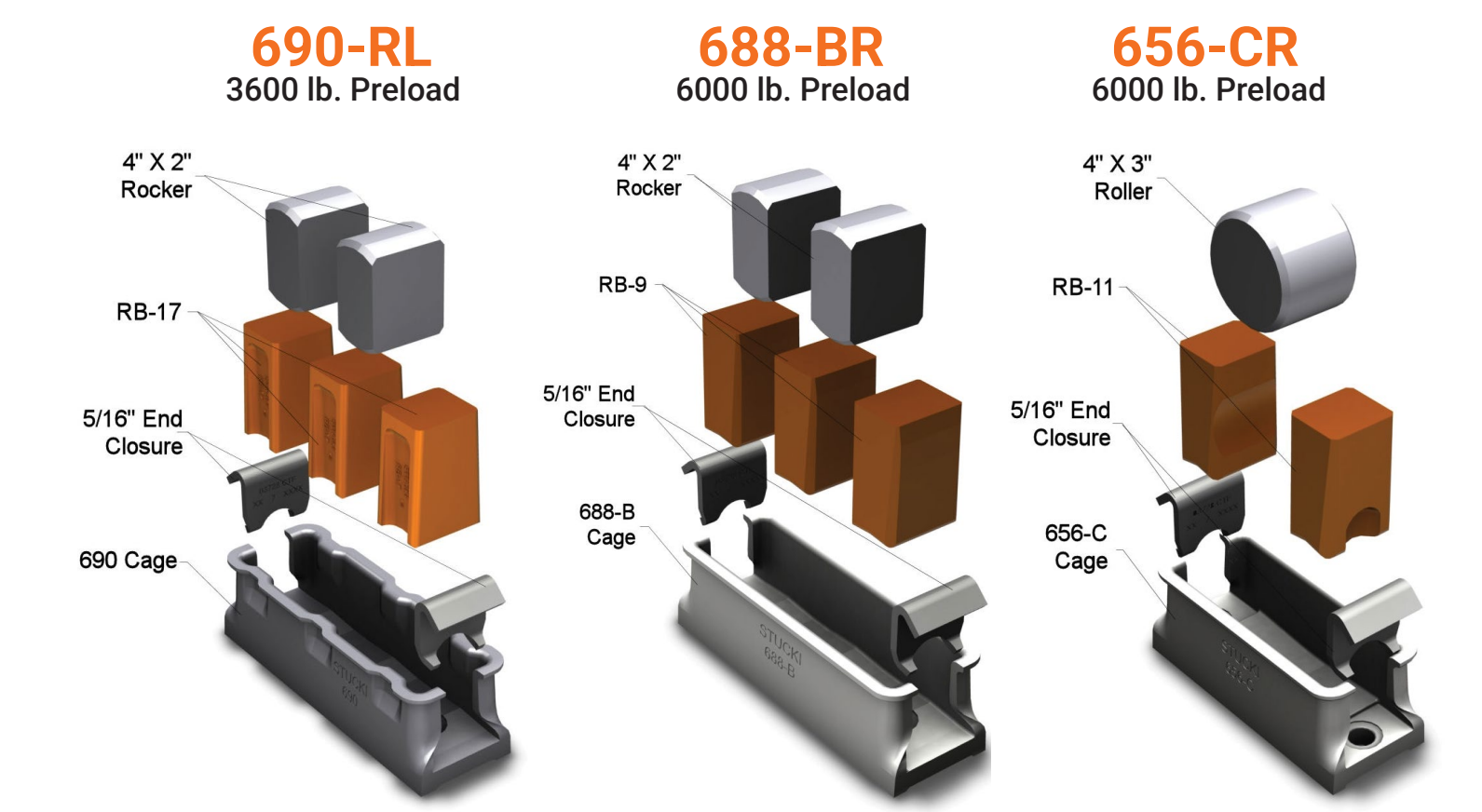
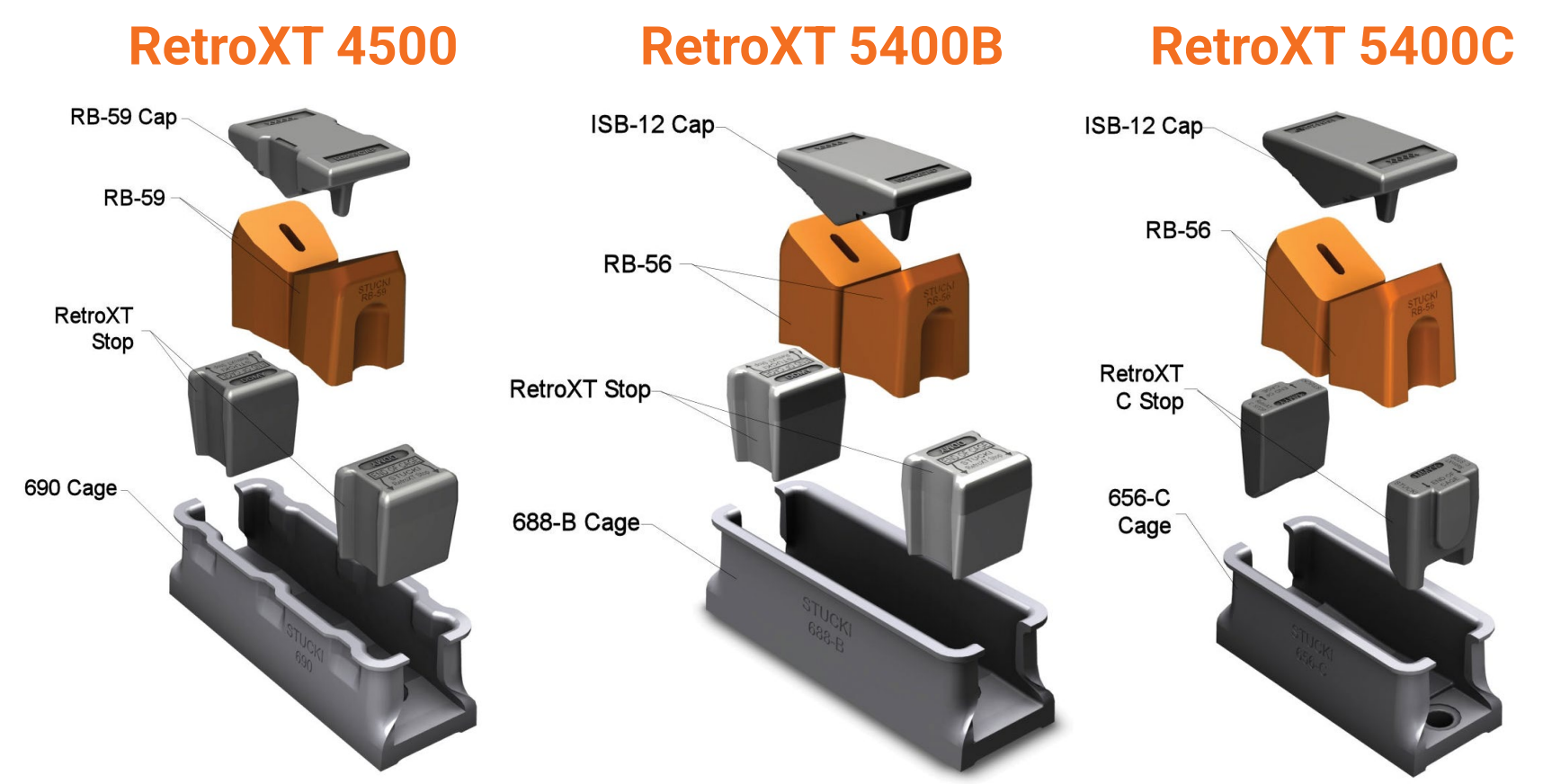
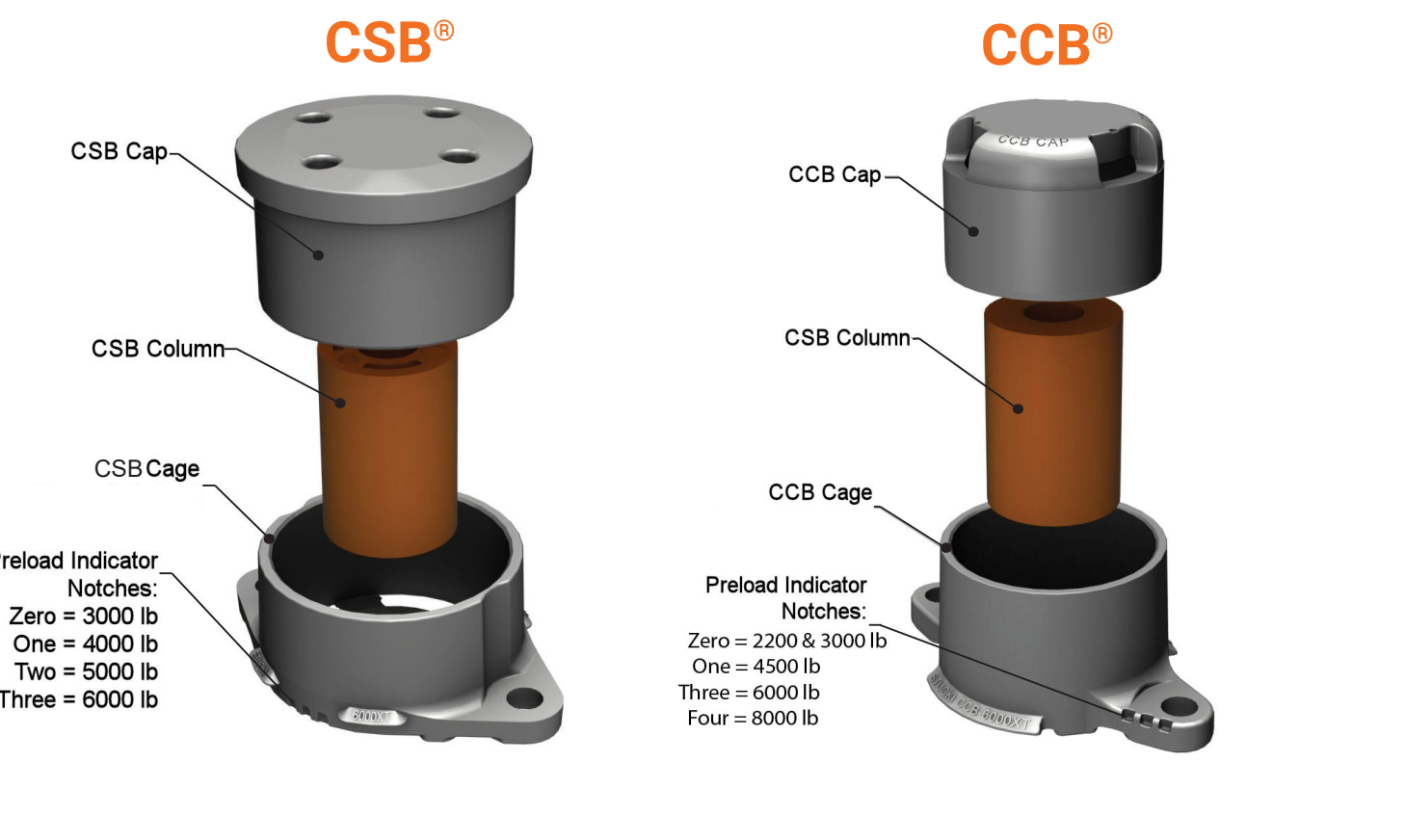


## STUCKI EXTENDED TRAVEL Metal Capped

## STUCKI EXTENDED TRAVEL Metal Capped Retrofit

## STUCKI STANDARD TRAVEL Nonmetal Capped

## STUCKI STANDARD TRAVEL Metal Capped



NOTE: To order cage or side bearings, state Model Name, and Preload & XT

NOTE: Replacement cages are ordered by specifying preload. 2200lb & 3000lb are NOT for INTERCHANGE SERVICE

Upgrade to extended travel with RetroXT 4500

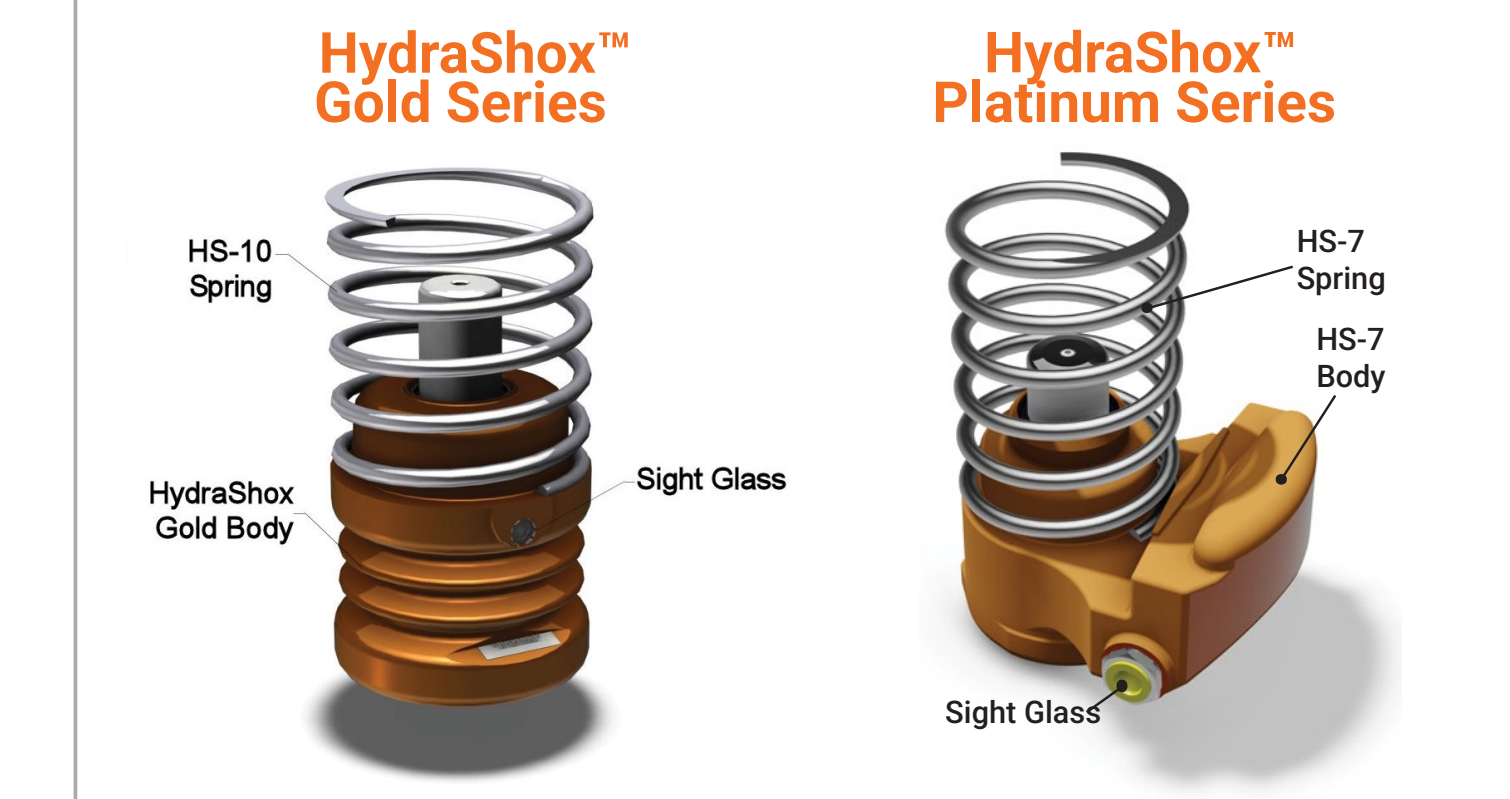
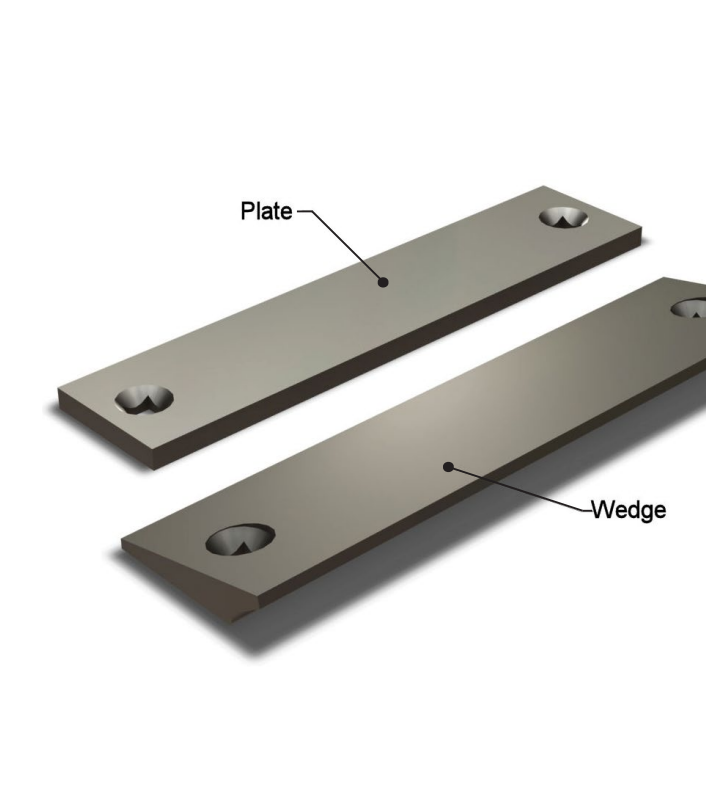
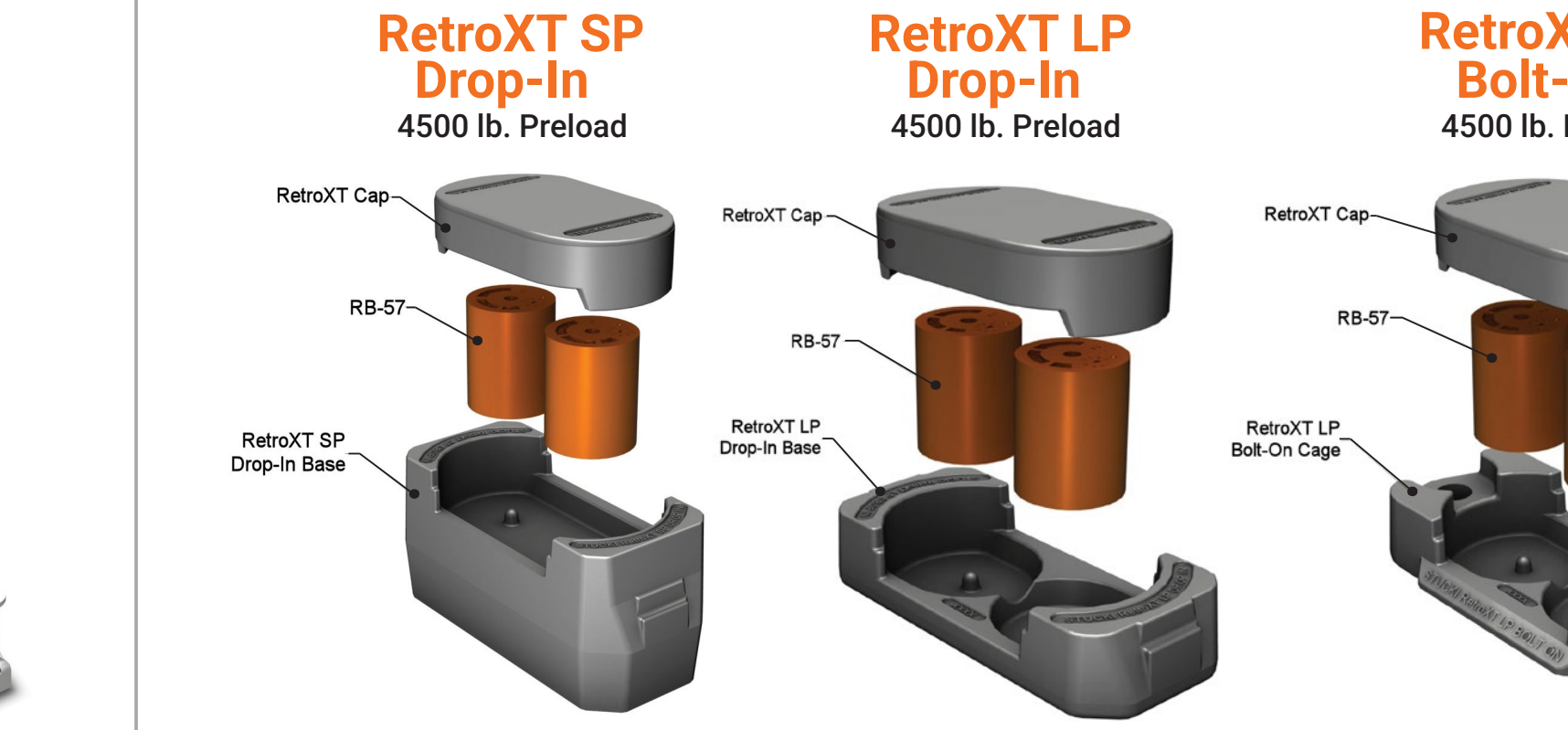
Upgrade to extended travel with RetroXT 5400C

## STUCKI STANDARD TRAVEL Dual Action

## TANK CAR UPGRADE OPTIONS

## PLATES & WEDGES

## HYDRAULIC STABILIZERS

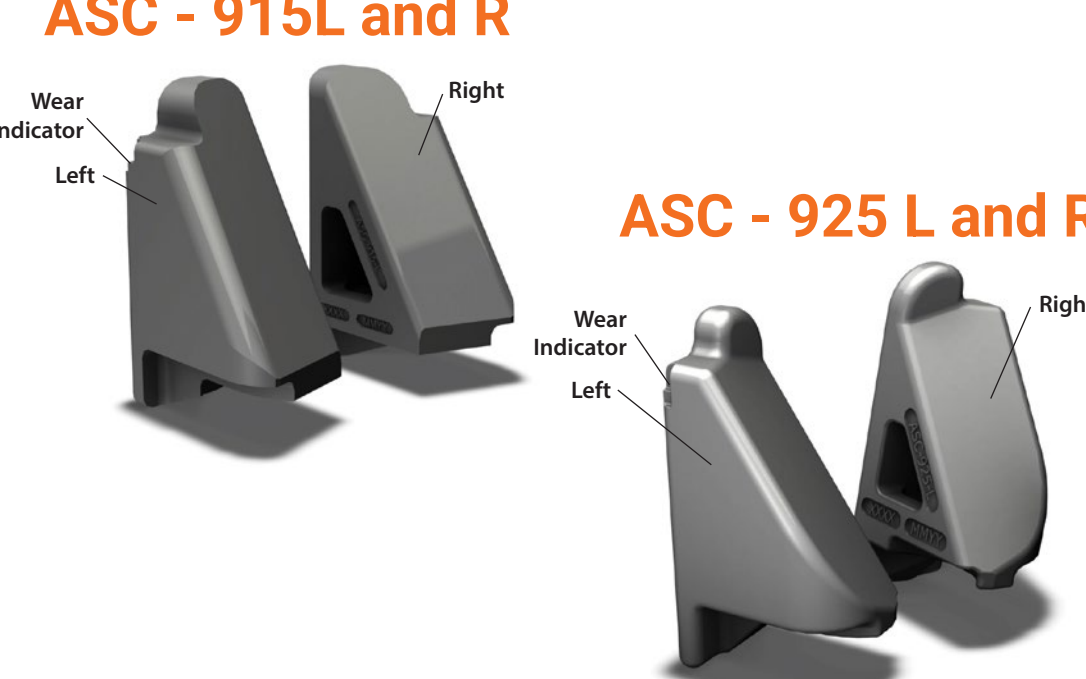
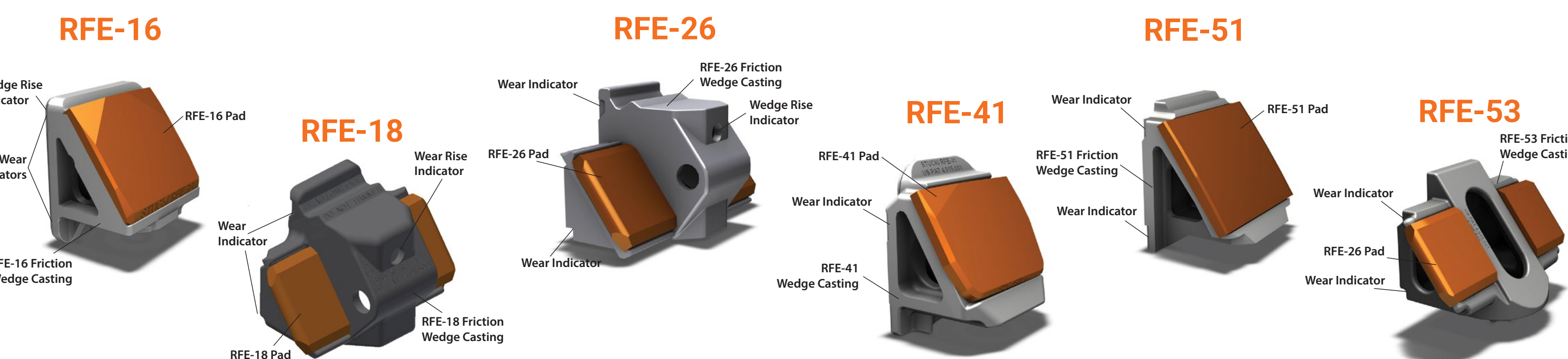


Upgrade to extended travel with RetroXT 5400B

## RESILIENT FRICTION ELEMENTS

## SPLIT WEDGES

## CONVENTIONAL WEDGES



Used for Barber® S-2-B, C Trucks; Used for Ride Control® Trucks; Used for Super Service Ride Control® Trucks; Used for Barber® S-2-HD Trucks; Used for Barber® S-2-D Trucks; Used for Super Service Ride Master® Trucks

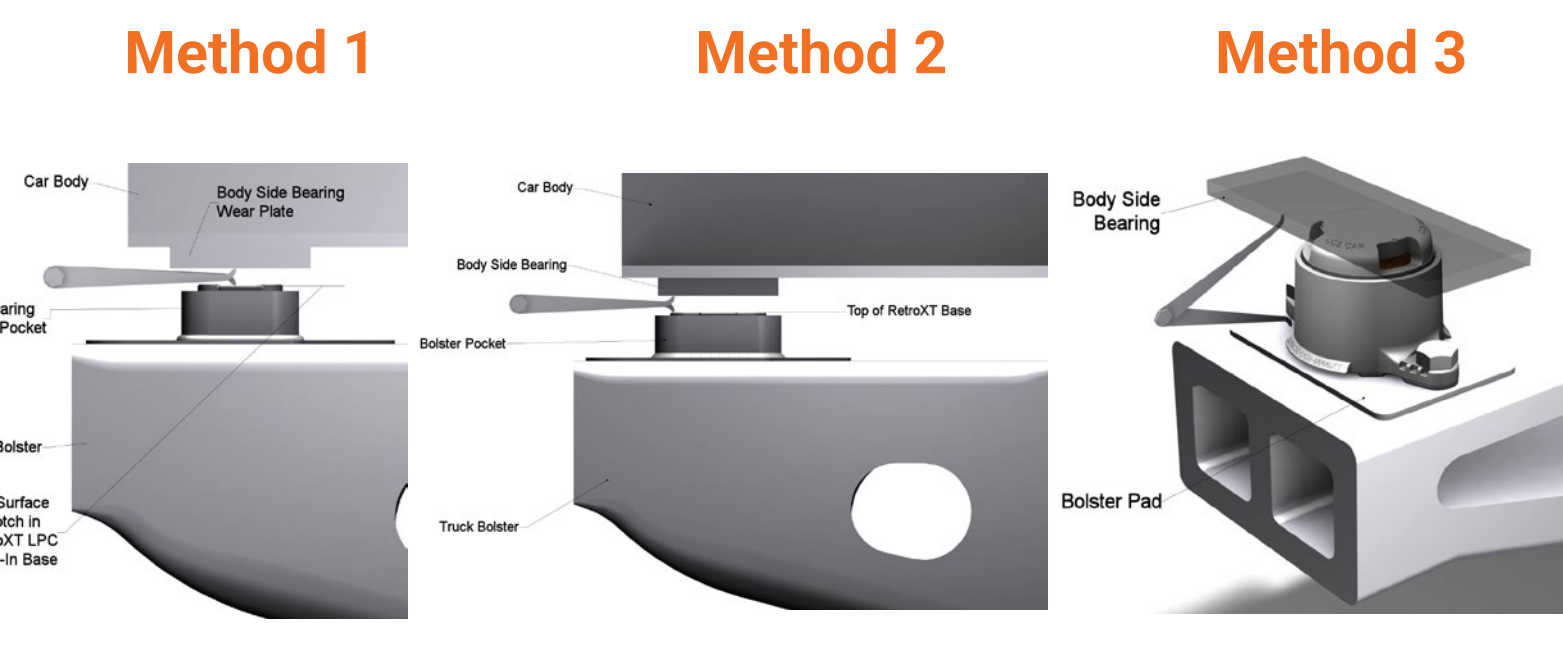
Used for Barber® S-2-HD Trucks; Used for Barber® S-2-B, C Trucks

Used for Barber® S-2-A Trucks; Used for Super Service Ride Control® Trucks; Used for Barber® S-2-B, C Trucks; Used for Ride Control® Trucks; Used for Barber® S-2-D Trucks; Used for Ride Master® Trucks; Used for Barber® S-2-HD Trucks; Used for Barber® xxxx Trucks

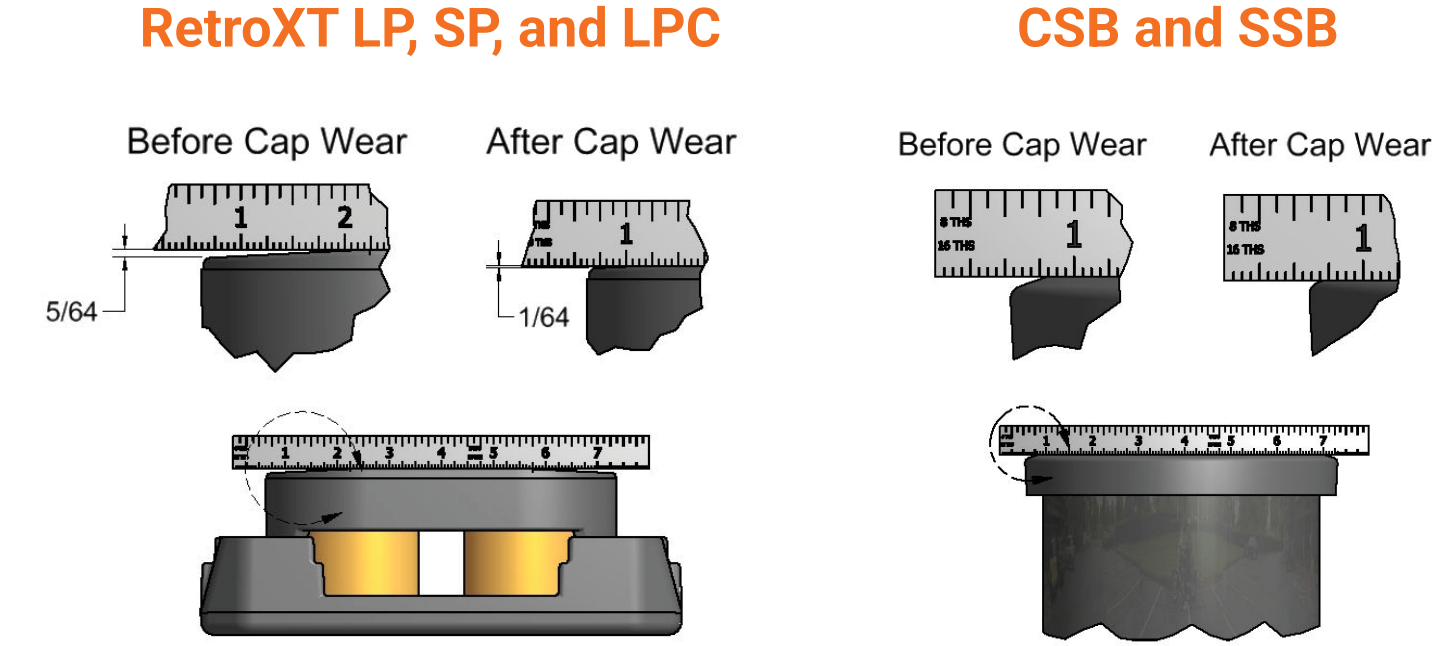
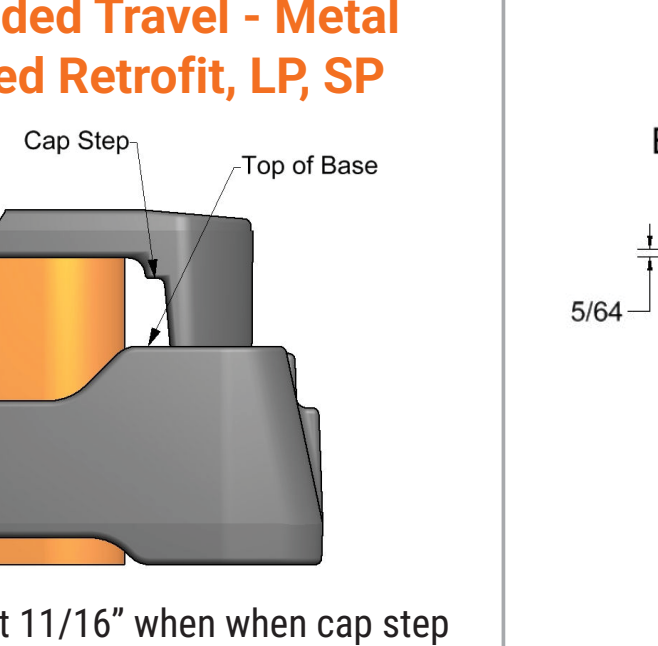
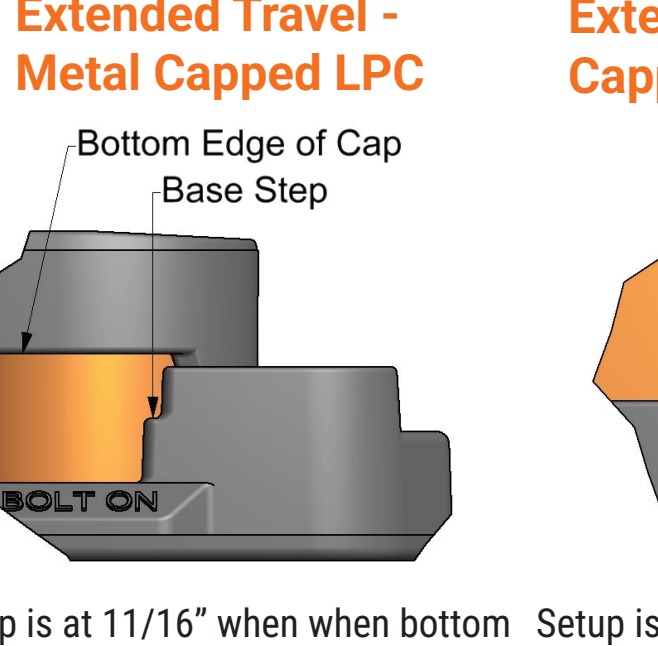
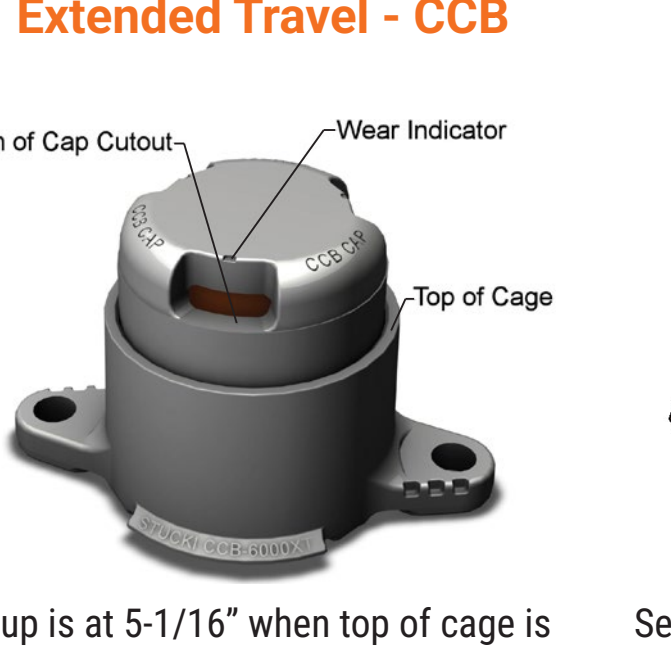
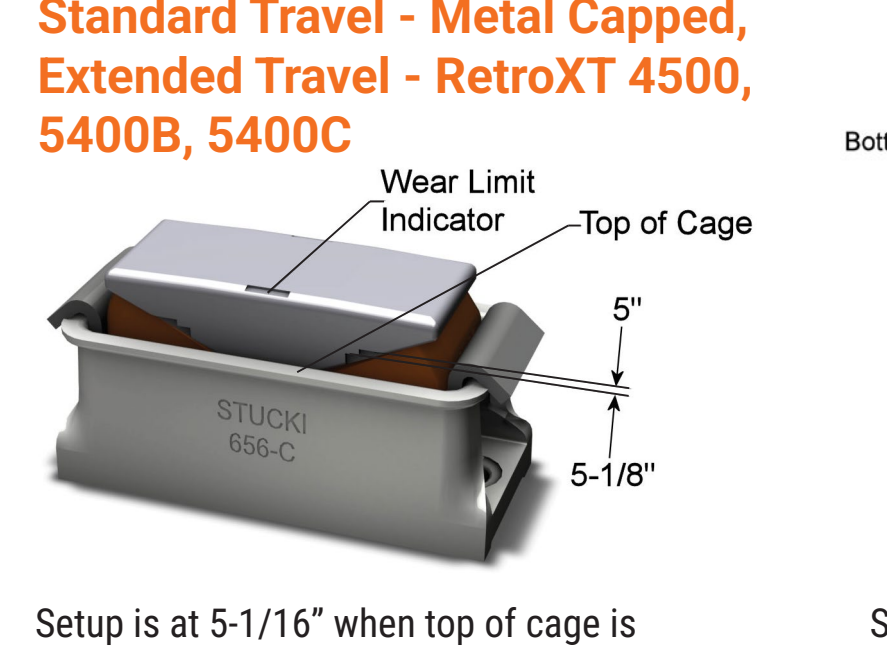
## SETUP HEIGHT MEASUREMENT & ADJUSTMENT

## HEIGHT & WEAR INDICATOR INSPECTION

## ADDITIONAL WEAR INDICATOR INSPECTION



RetroXT LPC (Measurement Method 1)			
Shop Setup Height		Repair Shop Track Height	
Metal or Used Nonmetallic Liner	New Nonmetallic Liner	Nominal	Tolerance
11/16"	+/- 1/16"	3/4"	+/- 1/16"
11/16"	+/- 1/16"	11/16"	+/- 1/8"
RetroXT SP and LP (Measurement Method 2)			
Shop Setup Height		Repair Shop Track Height	
Metal or Used Nonmetallic Liner	New Nonmetallic Liner	Nominal	Tolerance
11/16"	+/- 1/16"	3/4"	+/- 1/16"
11/16"	+/- 1/16"	11/16"	+/- 1/8"
All Remaining Side Bearings (Measurement Method 3)			
Shop Setup Height		Repair Shop Track Height	
Metal Liner	Elastomer Liner or Lube Disc	Nominal	Tolerance
5-1/16"	+/- 1/16"	5-1/8"	+/- 1/16"
5-1/16"	+/- 1/16"	5-1/16"	+/- 1/8"



For field inspection criteria, refer to RULE 62 Sum-of-the-Pairs in the AAR Field Manual.

For most Standard and Extended (long) Travel metal capped bearings, a quick reference visual height indicator is shown for at-a-glance checking. (Side Bearings are shown at free height)