

BRAKE ROD SPLICE CONNECTOR



Available Models:
 3/4" - 7/8" - 1 1/8"



MULTI-CATEGORY PRODUCT

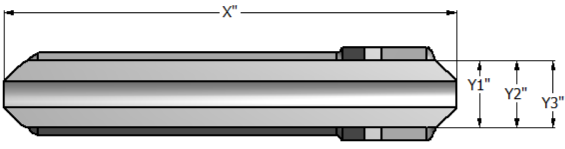
A. Stucki's Brake Rod Splice Connector offers a fast, economical way to repair or extend the life of brake rigging rods, available in various sizes and with special designs upon request.

FEATURES & BENEFITS

- Fast, economic & simple installation
- Available in various sizes, adapts to most brake rigging bars
- Special Designs to meet customer needs
- Central rib for easy bar adjustment
- Extends brake rigging rod's life, or repair
- Reduces wear both in rod and support

A SIMPLE SOLUTION

A. Stucki Company's Brake Rod Splice Connector offers a fast, economical, and simple solution for brake rigging repairs or extending the life of your existing rods. Available in various sizes, these connectors can adapt to most brake rigging bars. Their unique design, including a central rib for easy bar adjustment, reduces wear on both the rod and its support. Stucki can even provide special designs to meet your specific needs.

Selection Chart	
	
Brake Rod Slice	
X	Y
Standard Length	3/4"
	7/8"
	1 1/8"

* Each brake rod takes 2 splices for repair.



