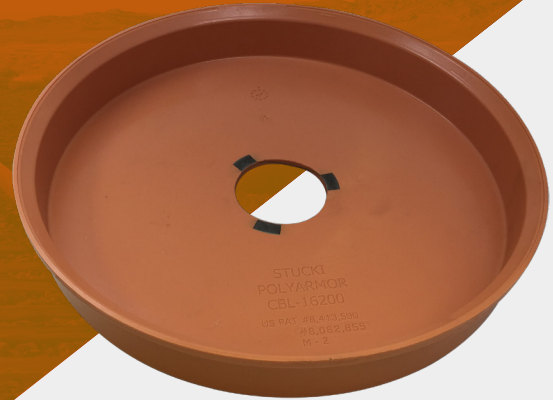


CENTER BOWL LINER

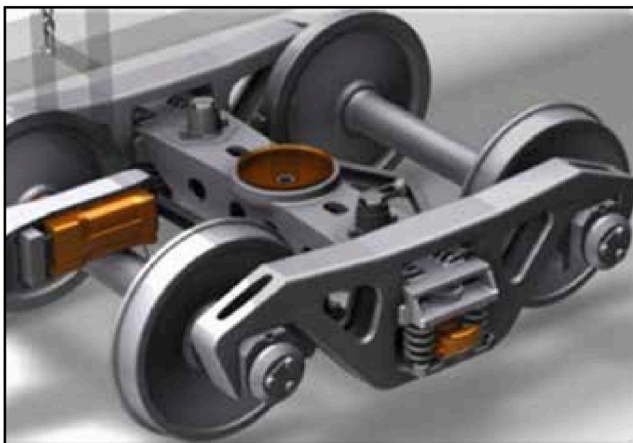


Part Number: CBL-16200



MULTI-CATEGORY PRODUCT

High-performance urethane liners for 14" & 16" bolster bowls. Effective and durable solution that prevents center plate and center bowl wear. Easy drop-in installation.



Location on truck

FEATURES & BENEFITS

- High friction urethane adds to truck stability
- Metallic grounding for best continuity
- 100% Inspection
- Effective and durable solution
- Prevents center plate and center bowl wear
- Three ground points with constant springing
- Weighs less than metallic bowl liners
- Never requires lubrication
- Simple drop-in installation, no welding required
- AAR Approved M-976
- Designed for high mileage and heavy loads
- Lower cost than steel center bowl liner
- Immediate delivery!

EFFECTIVE AND RUGGED

Wear resistant urethane wear liners are available for application with 14" and 16" bolster bowls. The rugged high grade polymer was chosen for its high coefficient of friction, excellent cold flow resistance and ability to withstand high impact loads. Easy installation – just drop and go!



www.stucki.com



Ofc: 412-424-0560



sales@stucki.com

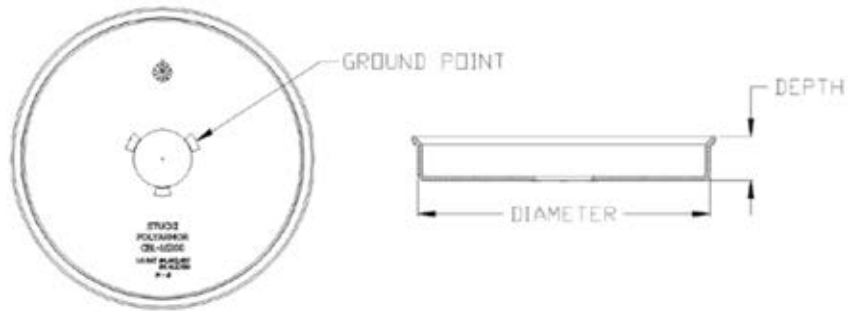


360 Wright Brothers Dr. Moon Township, PA 15108



TECHNICAL SPECIFICATIONS:
SELECTION CHART

APPLICATIONS			
Model	Diameter	Depth	Ground Points
CBL-14000	14"	Flat	3
CBL-16000	16"	Flat	3
CBL-16200	16"	2"	3
CBL-16225	16"	2.5"	3



Our anti-static Center Bowl Liners eliminate the risk of static buildup, providing constant ground to trucks with use of metal spring.

