



## EFFECTIVE AND RUGGED

Wear resistant urethane wear liners are available for application with 14" and 16" bolster bowls. The rugged high grade polymer was chosen for its high coefficient of friction, excellent cold flow resistance and ability to withstand high impact loads. Easy installation – Just drop and go!

## Benefits

- High friction urethane adds to truck stability
- Metallic grounding for best continuity
- 100% Inspection
- Effective and durable solution
- Manufacturing plant located in Monterrey
- Immediate delivery!

## Features

- Prevents center plate and center bowl wear
- Three ground points with constant springing
- Weighs less than metallic bowl liners
- Never requires lubrication
- Simple drop-in installation-no welding required
- AAR Approved M-976
- Designed for high mileage and heavy loads
- Lower cost than steel center bowl liner

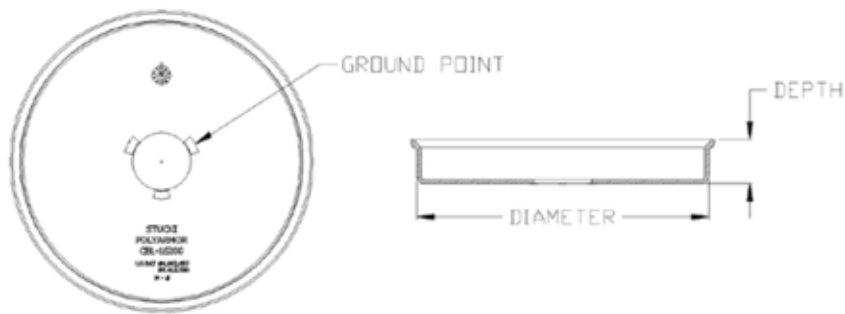


Location on truck



## SELECTION CHART

APPLICATIONS			
Model	Diameter	Depth	Ground Points
CBL-14000	14"	Flat	3
CBL-16000	16"	Flat	3
CBL-16200	16"	2"	3
CBL-16225	16"	2.5"	3



Our anti-static Center Bowl Liners eliminate the risk of static buildup, providing constant ground to trucks with use of metal spring



CBL-16200

CBL-16200

CBL-16000

